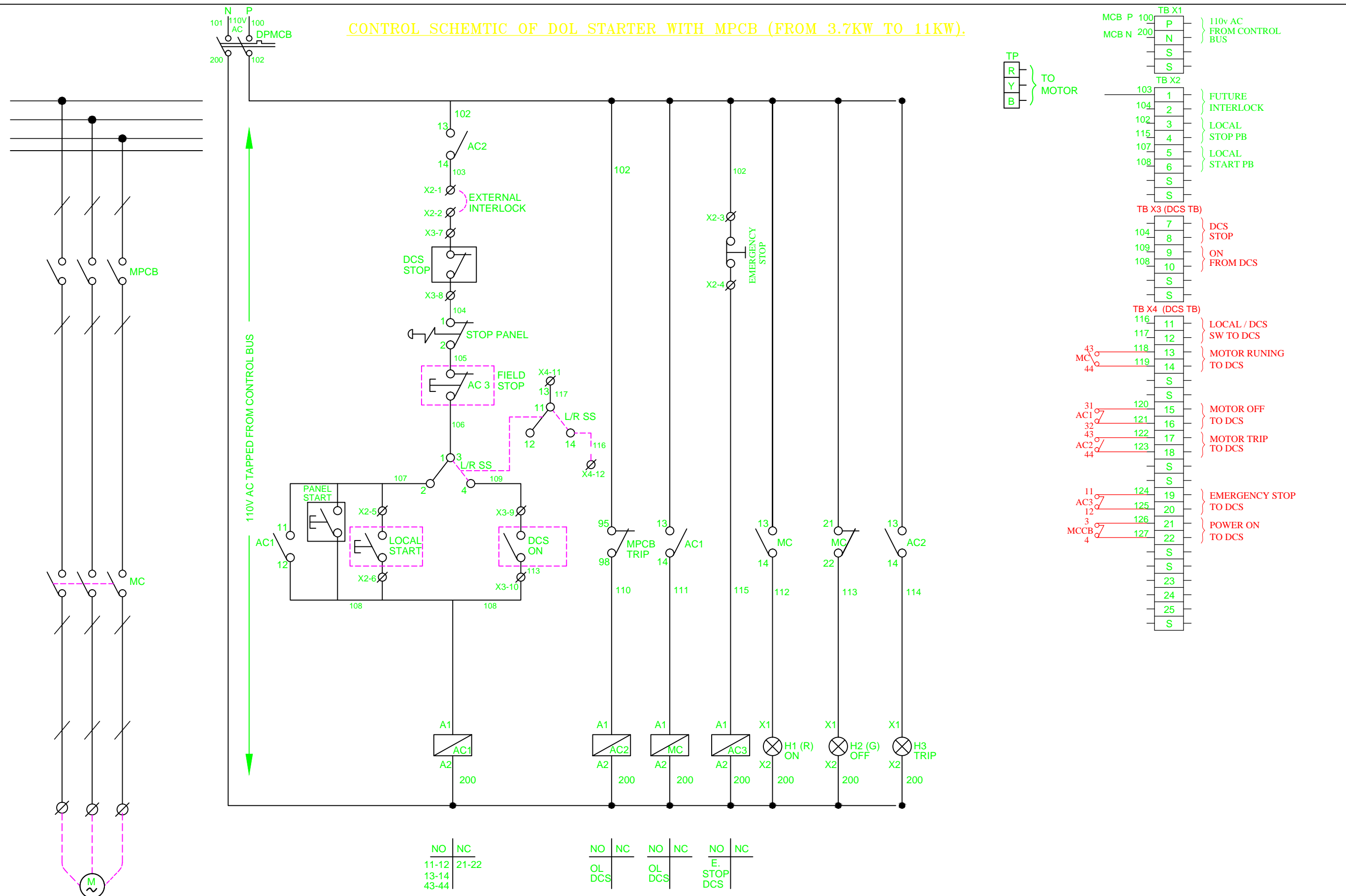
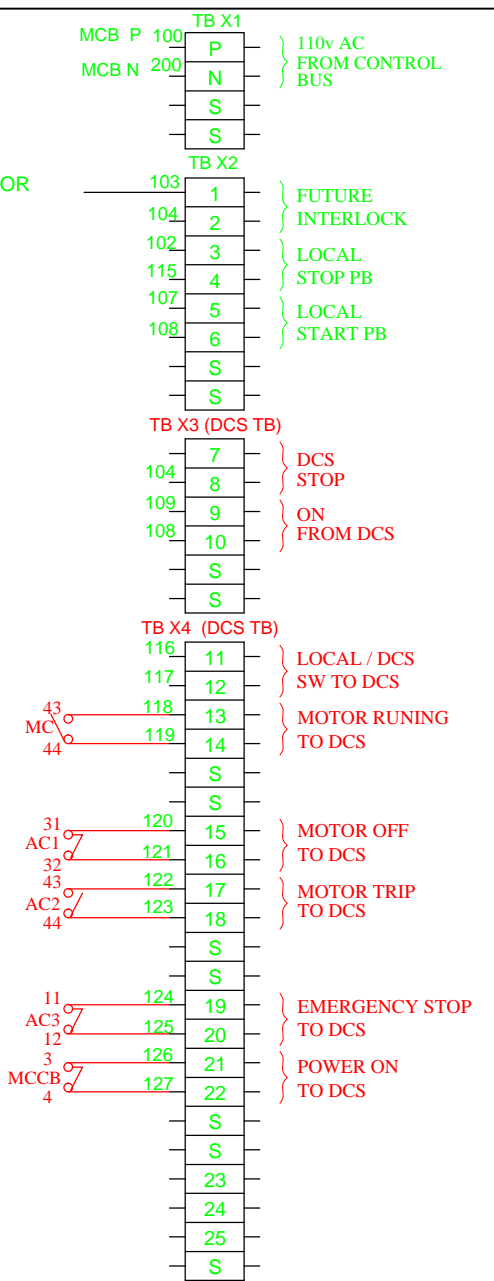


CONTROL SCHEMATIC OF DOL STARTER WITH MPCB (FROM 3.7KW TO 11KW).



TP  
R  
Y  
B } TO MOTOR



NO	NC	NO	NC	NO	NC
11-12	21-22	OL	OL	NO	NC
13-14		DCS	DCS	E. STOP	DCS
43-44					

WIRING DIAGRAM OF DOL FEEDER (SCHEME :-5)