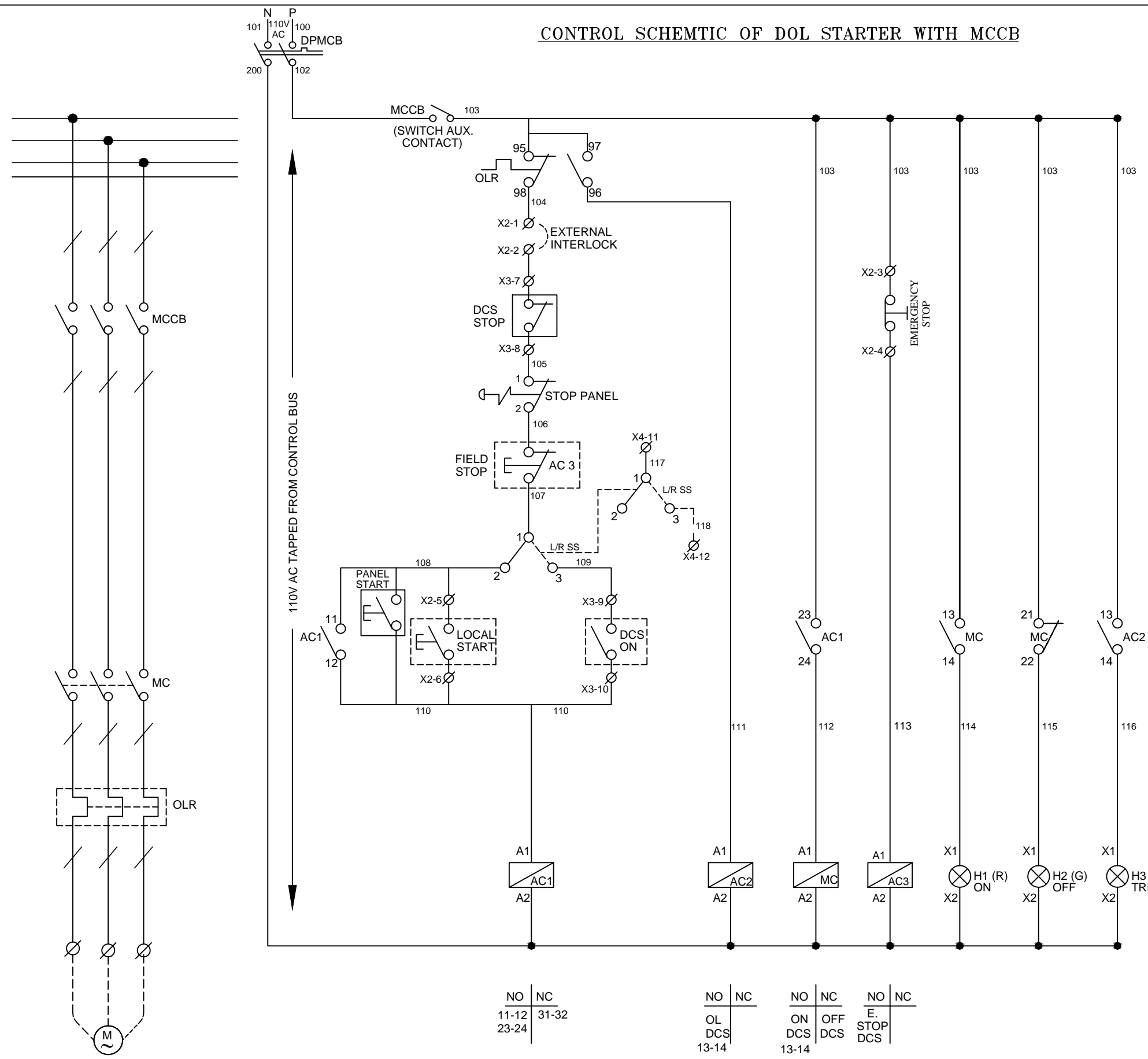
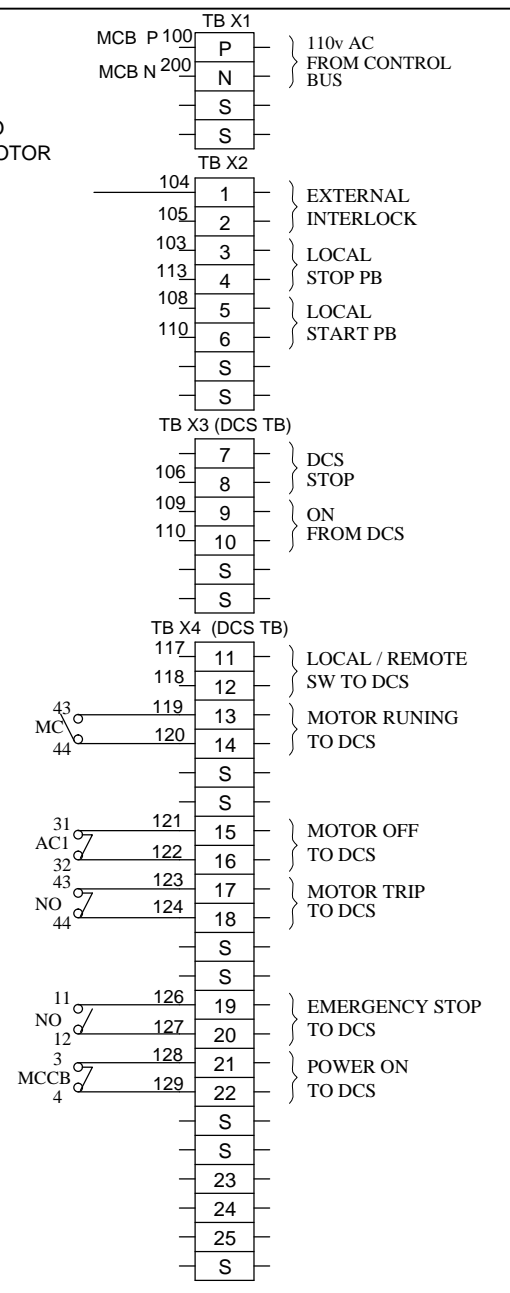


CONTROL SCHEMATIC OF DOL STARTER WITH MCCB



TP
R
Y
B
TO MOTOR



NO	NC	NO	NC	NO	NC
11-12	31-32	OL	DCS	ON	OFF
23-24		13-14		DCS	DCS
				E. STOP	DCS

WIRING DIAGRAM OF DOL FEEDER
(SCHEME :-1)